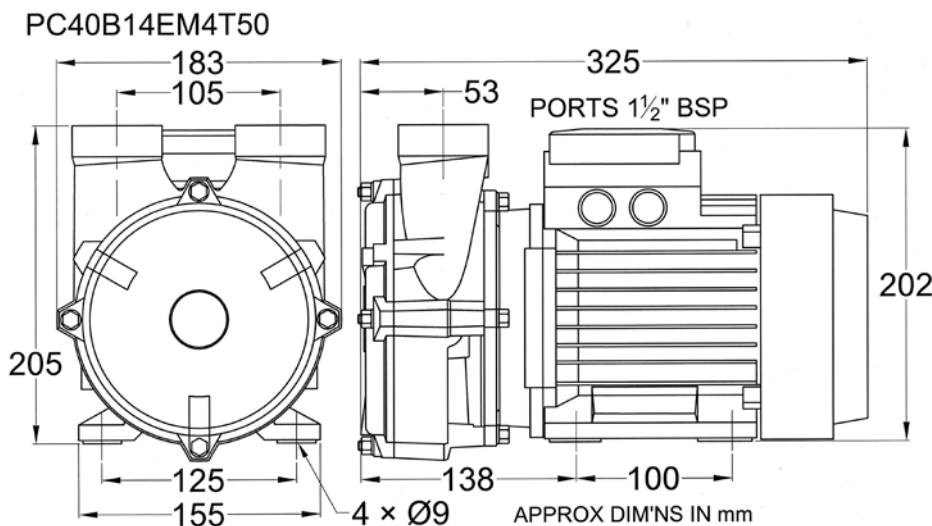


PERFORMANCE

Model	Maximum flow rate			Maximum head	
	l/min	cu.m/hr	gall/min	metres	feet
PC40B14 EM4T50	158	9.5	34.8	15.8	52

DIMENSIONS IN MM (APPROX.)

WEIGHT: 19.5kg



Standard a.c. motor 0.75kW 1390 rpm 400/3/50Hz totally enclosed, fan ventilated IP55 enclosure. Contact your pump supplier for details of alternative motors

MATERIALS OF CONSTRUCTION

Pump casing	bronze
Impeller	bronze
Shaft	stainless steel AISI316
Pump head bolts	stainless steel
O-ring static seal	nitrile rubber

Pump performance and specification are subject to alteration without notice

FP PUMPS

PC40B14 EM4T50



**1½" BRONZE
SELF-PRIMING-SIDE
CHANNEL PUMP
CLOSE COUPLED to
4 POLE 400V/3/50Hz
IP55 MOTOR**

- ★ reliable continuous duty pump
- ★ corrosion-resistant bronze, with stainless steel shaft
- ★ self-priming up to 4m
- ★ carbon-ceramic mechanical shaft seal

**BRONZE
PUMPS**
for
SEAWATER